

## TECHNICAL SPECIFICATION

### LED Spotlights SAS-14



#### Technical data

- Model : 1W
- Color temperature : 2700K/4000K
- Rated voltage : 230V/50Hz
- Power Supply : Low Voltage , DC device
- LED type : High power
- Light source: Epistar Taiwan
- Protection against dust and moisture : IP20
- Housing: aluminum casting 60x60x21mm
- Color: satin nickel/gold/black
- Long life : 30 000 hours
- Colour rendering index: Ra≥80
- Switch on/off > 15000
- Beam angle: 60°
- Installation: recessed mounting

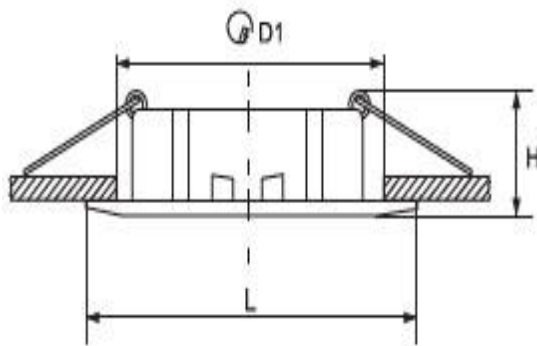
## **Areas of application**

- Commercial buildings
- Administrative buildings
- Residential buildings
- Hospitals, Schools, Banks
- Entertainment and leisure spots

## **Product benefits**

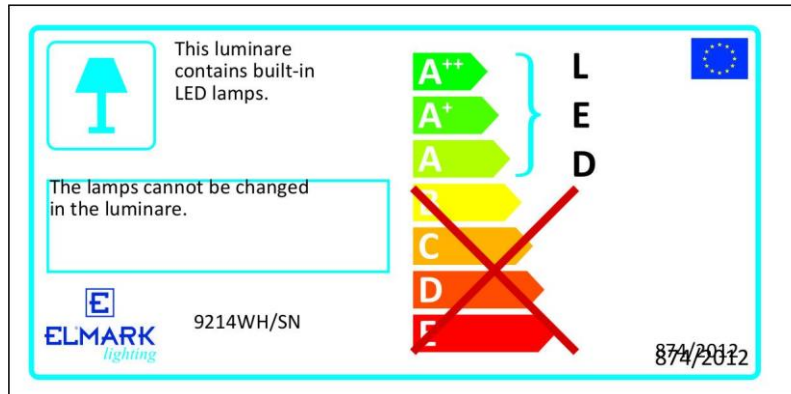
- Energy-saving fixture in replacement of fluorescent downlights
- Safety, low voltage operation
- Installation in suspended ceilings
- Pleasant and uniform light distribution
- Low power consumption
- Repeated switch on/off does not affect the lifespan
- Instant light with maximum luminous flux
- Environmentally friendly - no mercury and lead
- No ultraviolet and infrared rays
- Resistant to shock and vibration-free body
- Low heat emission
- Compact size

## Variants and dimensions



Watt	LED chip lumens (lm)	Whole fixture lumens (lm)	Colour temp. (K)	Colour body	Size			Catalogue number	Packing (pcs)
					D	H	D1		
1W	110	80	4000-4300	satin nickel	60	21	50	9214WH/SN	100
1W	110	80	2700-3000	satin nickel	60	21	50	9214WW/SN	100
1W	110	80	4000-4300	gold	60	21	50	9214WH/G	100
1W	110	80	2700-3000	gold	60	21	50	9214WW/G	100
1W	110	80	4000-4300	graphite	60	21	50	9214WH/GR	100
1W	110	80	2700-3000	graphite	60	21	50	9214WW/GR	100

## Energy efficiency



## Barcodes

Barcode	Catalogue number
3800131174048	9214WH/SN
3800131174055	9214WW/SN
3800131174062	9214WH/G
3800131174079	9214WW/G
3800131174086	9214WH/GR
3800131174093	9214WW/GR

## Standards

EN 55015

EN 61000-3-2; EN 61000-3-3

EN 61547

EN 60598-1; EN 60598-2-2

